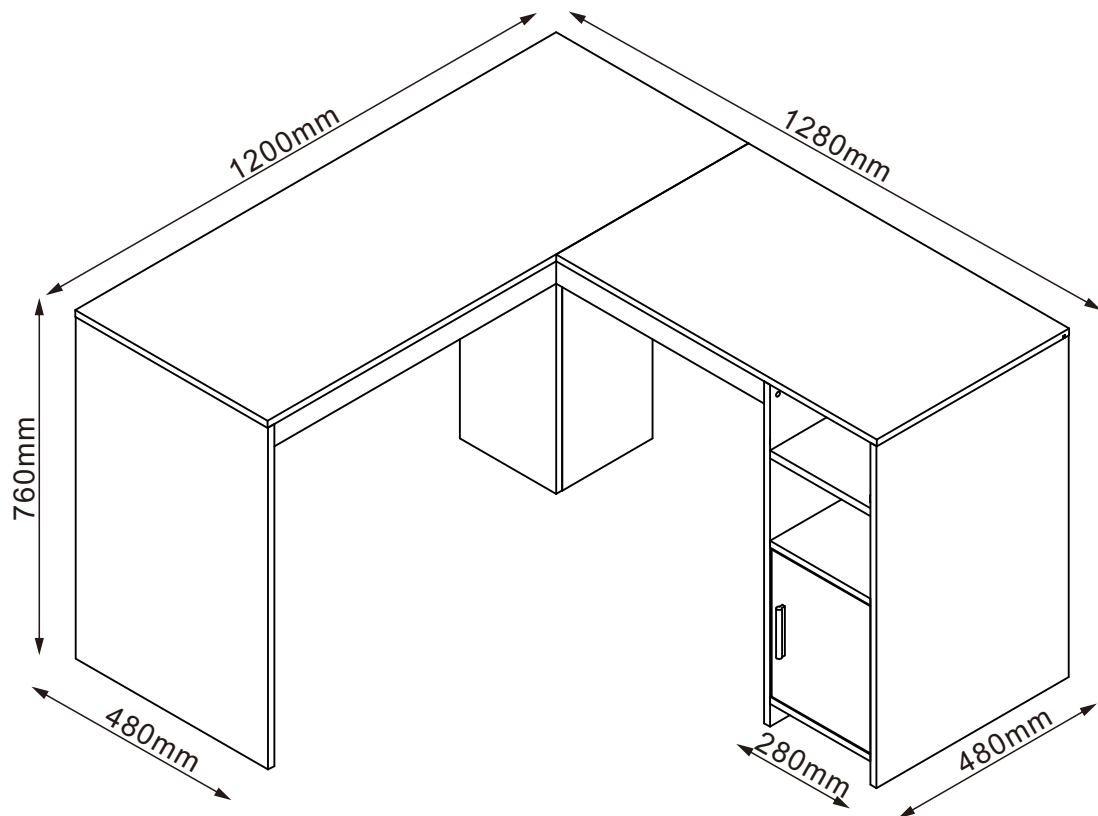


# ASSEMBLY INSTRUCTION

PADILLA  
Corner Desk  
ITEM CODE 75138

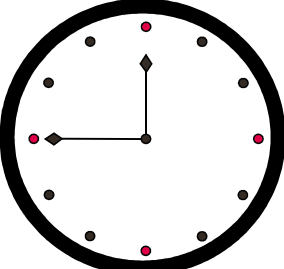
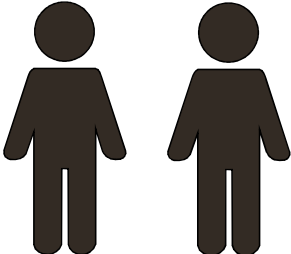



Imported by JWA Furniture Pty Ltd, Qld, Brisbane Australia.  
For any assistance with assembly or for missing parts please refer to your receipt

# PRE-ASSEMBLY PREPARATION

## Before you start:

1. Choose a clean, level, spacious assembly area. Avoid hard surfaces that may damage the product
2. Take care when lifting. Product should be assembled as near as possible to the point of use
3. Ensure that you have all required contents for complete assembly
4. Always read the assembly instructions carefully before beginning assembly.
5. Keep all hardware parts and packaging out of reach of small children.
6. Do not over tighten the screws and bolts as this may damage the threads
7. Assembly is to be carried out by a competent adult(s) ONLY
8. During assembly, children should be kept away from the product due to possible risk to injury.
9. Do not use this item if any components are missing or damaged.
10. Please keep the instructions for future reference.

		
<p>Allow 45min</p>	<p>For 2 person</p>	<p>Additional tools required</p>



## TIPPING WARNING





Serious or fatal injuries may occur from furniture toppling over. To help avoid this please follow the below recommendations;

- Install the provided "Tipping Kit" as per the instructions
- Never allow children to climb on or hang off of any part of this product
- Unless specifically designed to accommodate, do not set TVs or other heavy objects on top of this product

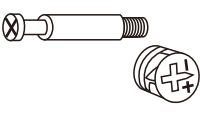



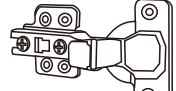
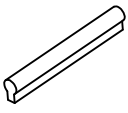
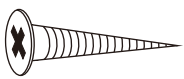


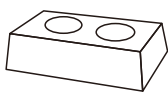
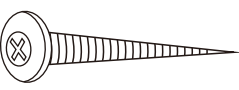

IF this product has drawers:

- Place the heaviest items in lowest drawers
- Do not open more than 1 drawer at a time as this may cause the product to become unbalanced
- Do not tamper with or remove any drawer interlocking/running system

**Note:** The use of the provided "Tipping Kit" may reduce but not necessarily eliminate the risk of furniture toppling over. Please use this product with caution.

*This is a permanent label. Do not attempt to remove!*

# PARTS LIST

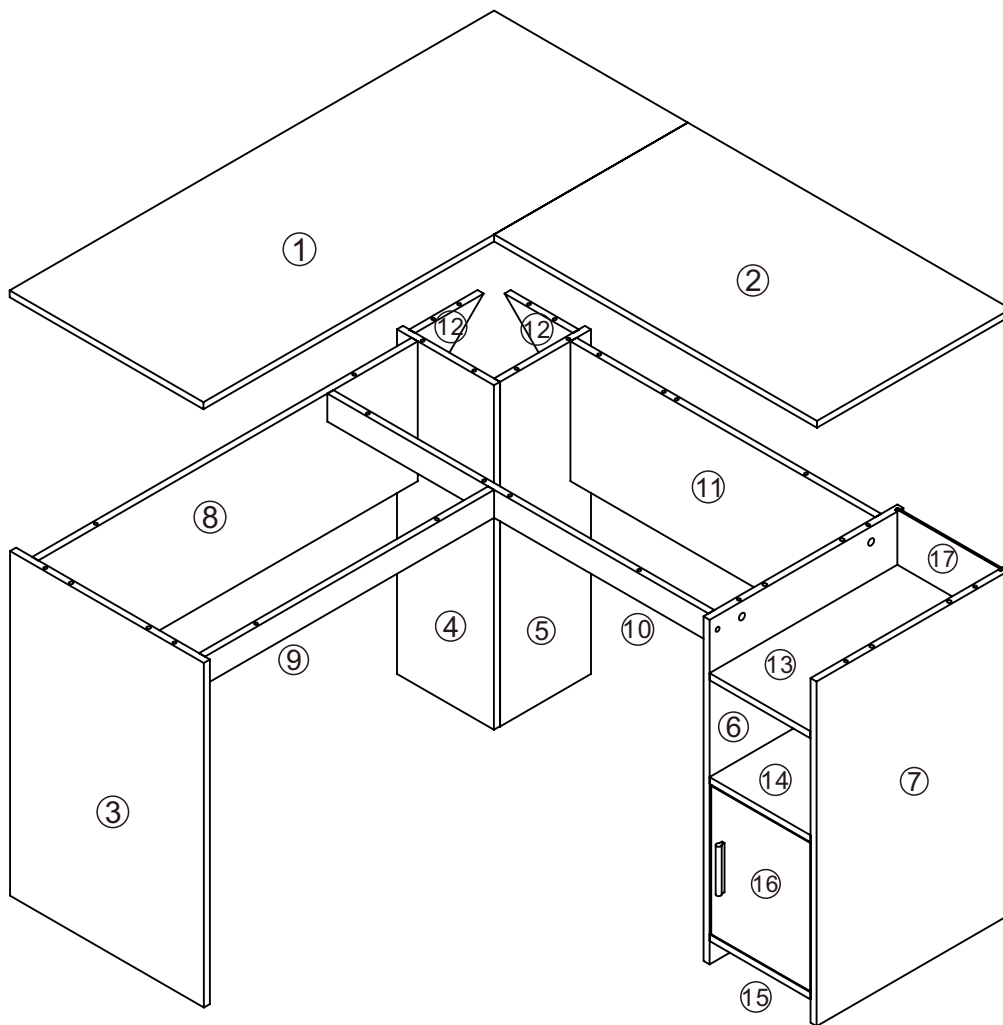
<b>A</b>  53pcs	<b>B</b>  8X30mm 14pcs	<b>C</b>  M4X18mm 2pcs	<b>D</b>  M3.5X14mm 16pcs	<b>E</b>  2pcs
<b>F</b>  1pc	<b>G</b>  ST3.5X18mm 6pcs	<b>H</b>  6pcs	<b>I</b>  4pcs	<b>J</b>  1pc
<b>K</b>  ST4X25mm 2pcs	<b>L</b>  2pcs			

# PARTS LIST

1	Top left panel
2	Top right panel
3	Left side panel
4	Back left side panel
5	Back right side panel

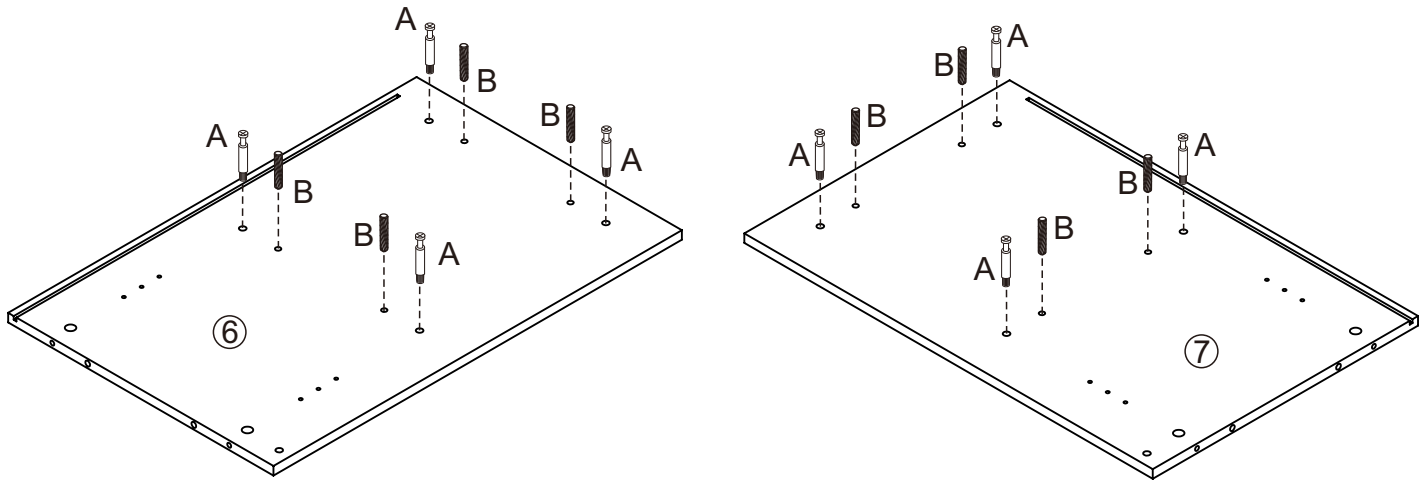
6	Cabinet left panel
7	Cabinet right panel
8	Left back panel
9	Left front baffle panel
10	Right front baffle panel

11	Right back panel
12	Support panel
13	Layer panel
14	Cabinet top panel
15	Cabinet bottom panel
16	Cabinet front panel



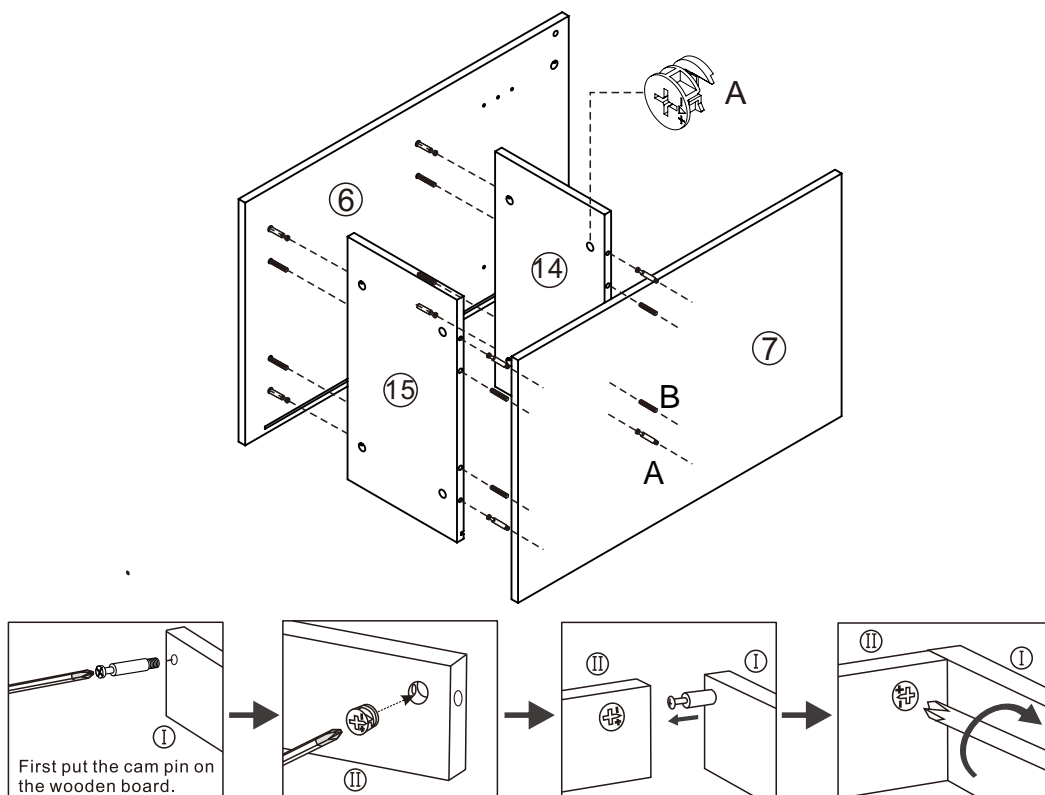
# STEP 1:

1. Insert parts A and B into panel 6 and 7.



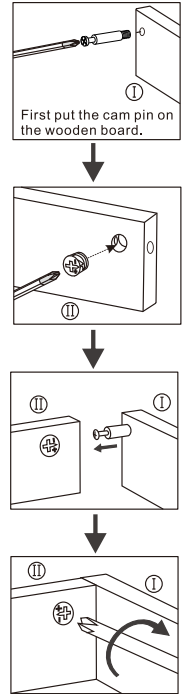
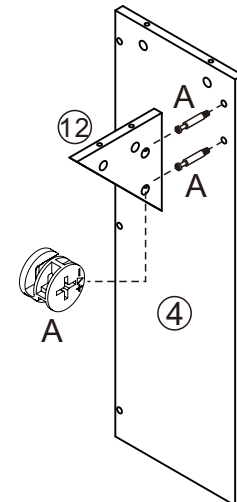
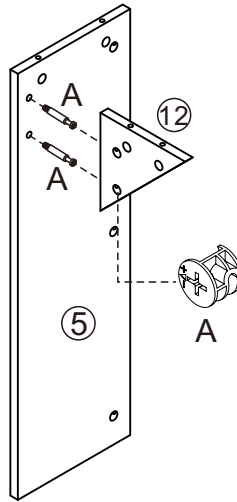
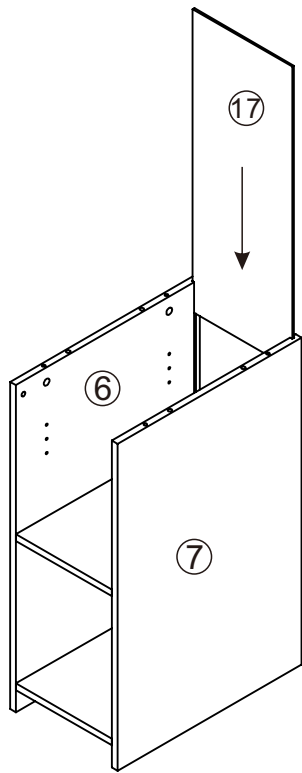
# STEP 2:

1. Attach panels 14 and 15 to panels 6 and 7 with parts A and B.



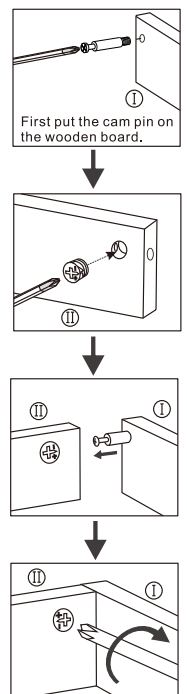
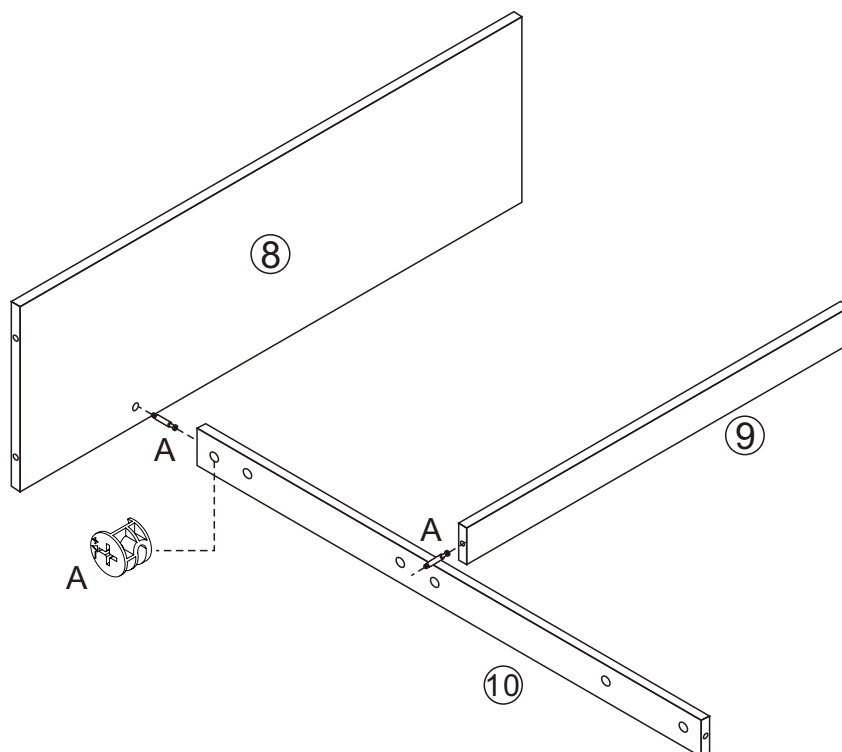
## STEP 3:

1. Slide panel 17 along slots of panels 6 and 7.
2. Attach panel 12 to panels 4 and 5 with part A.



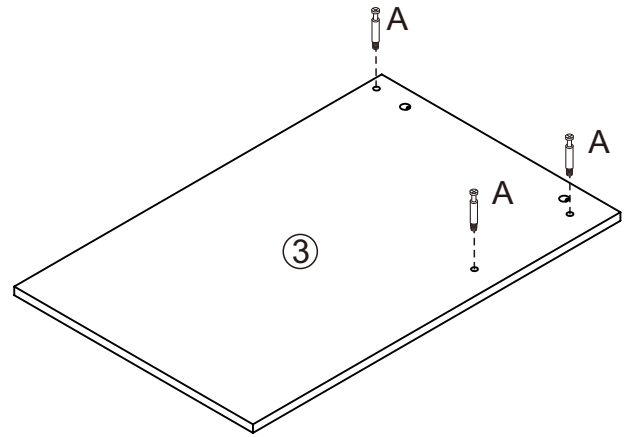
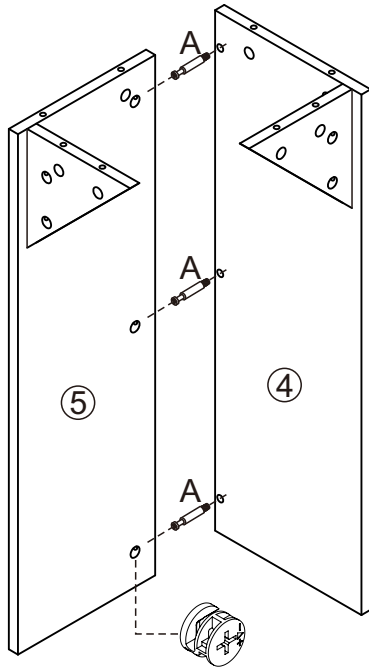
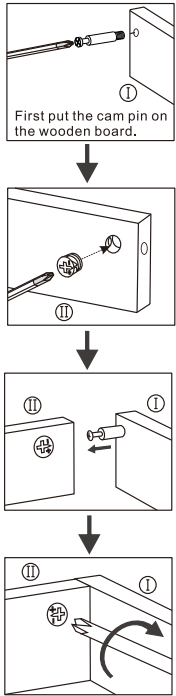
## STEP 4:

1. Attach panel 9 to panel 10 with part A.
2. Attach panel 10 to panel 8 with part A.



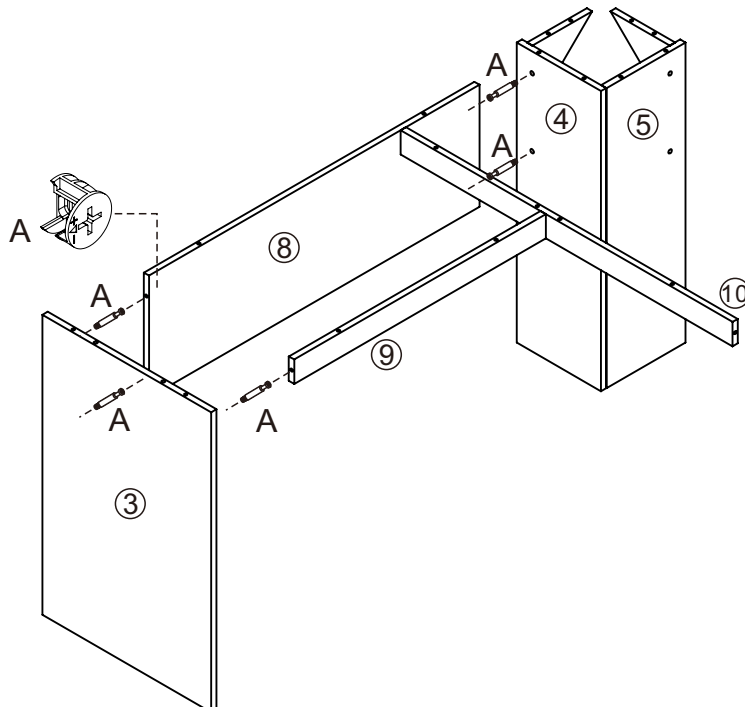
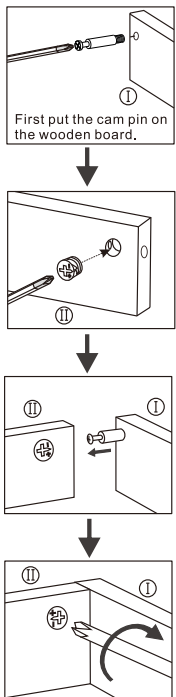
# STEP 5

1. Attach panel 4 to panel 5 with part A.
2. Insert part A into panel 3.



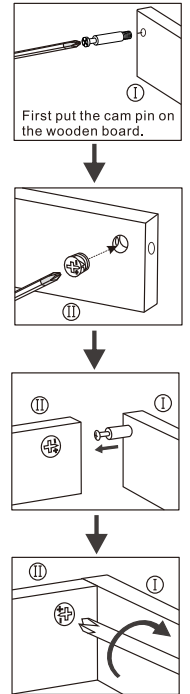
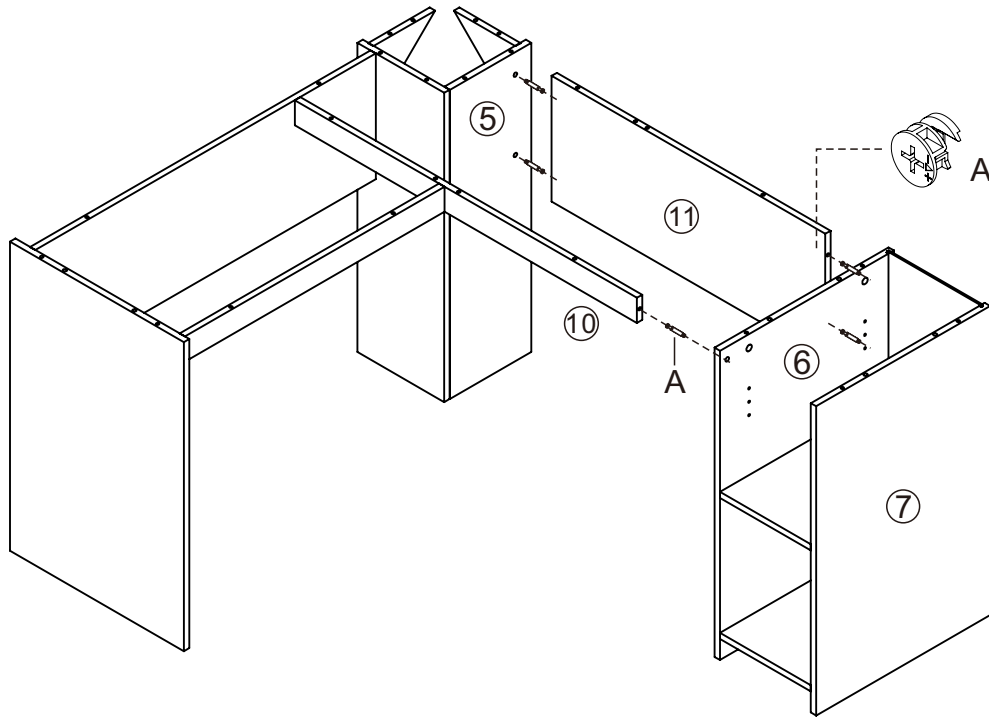
# STEP 6

1. Attach panels 8 and 9 to panel 3 with part A.
2. Attach panel 8 to panel 4 side from component in Step 5.1.



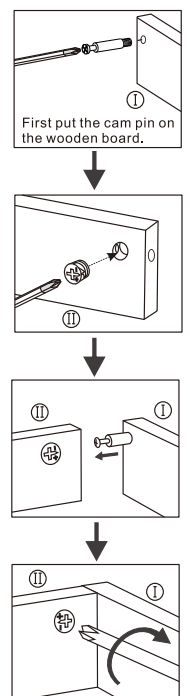
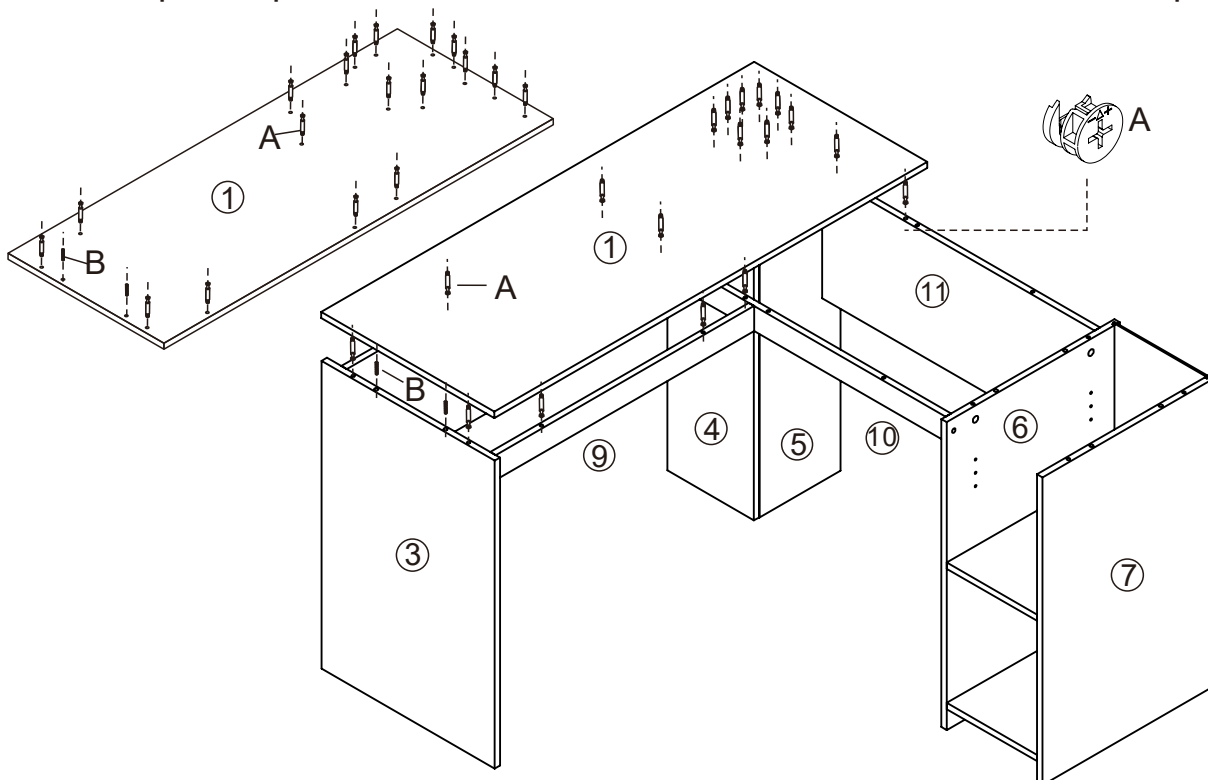
# STEP 7

1. Attach panel 11 to panel 5 with part A.
2. Attach panels 10 and 11 to panel 6 with part A.



# STEP 8

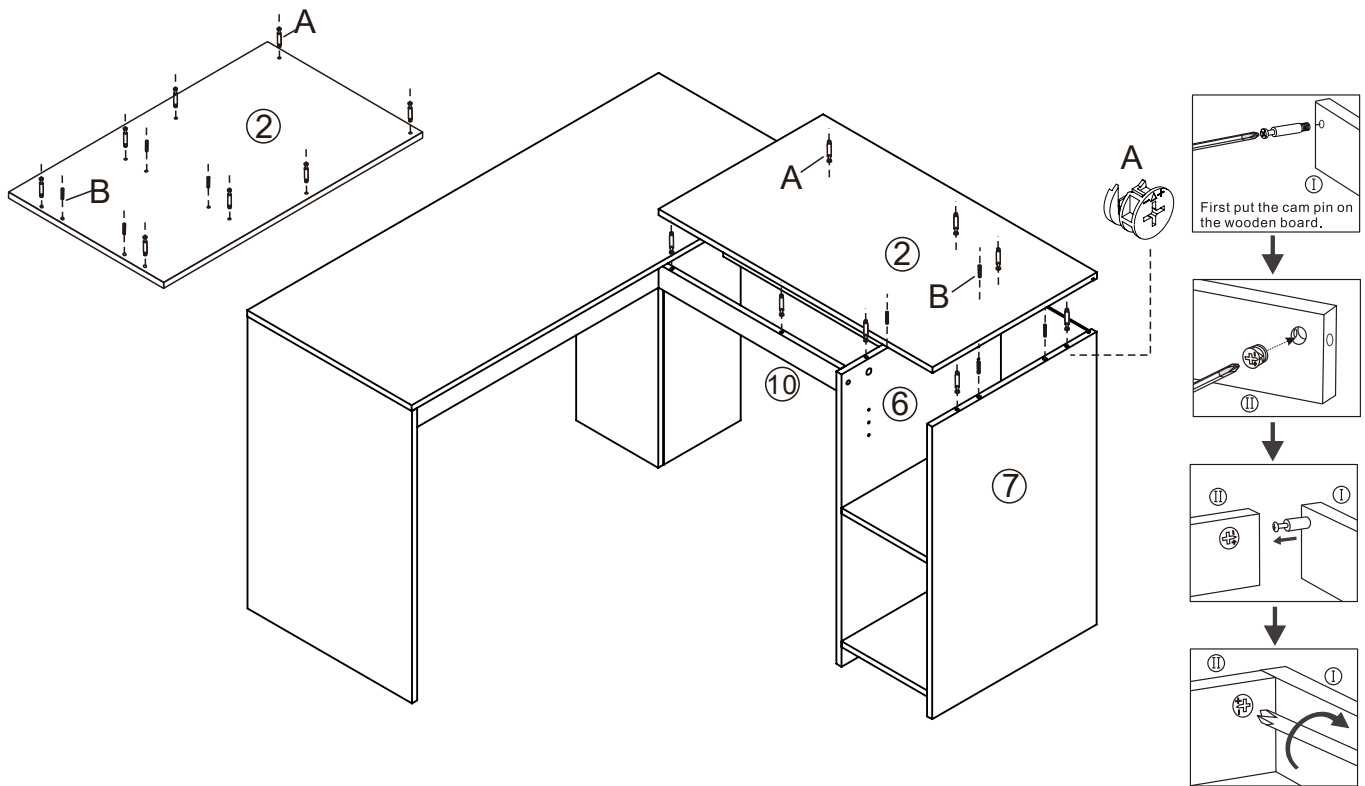
1. Insert parts A & B into panel 1.
2. Flip over panel 1 and attach to left side of desk and secure with part A cam locks.





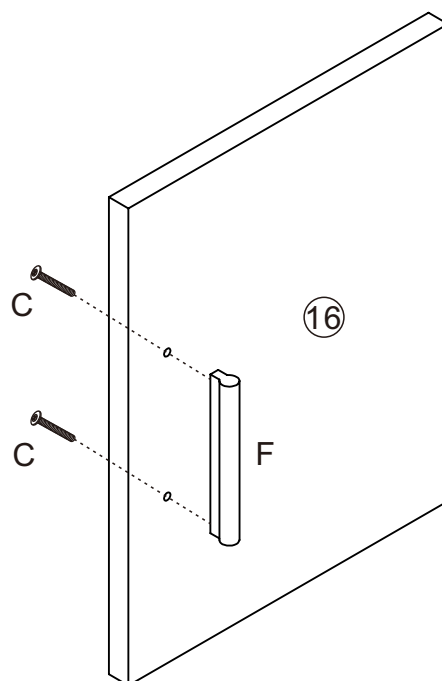
# STEP 9

1. Insert parts A & B into panel 2.
2. Flip over panel 2 and attach to right side of desk and secure with part A cam locks.



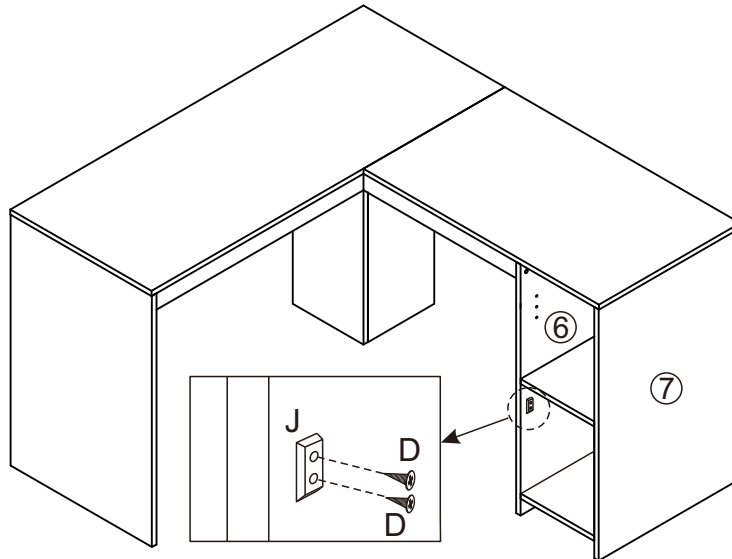
# STEP 10

1. Attach part F to panel 16 with part C.



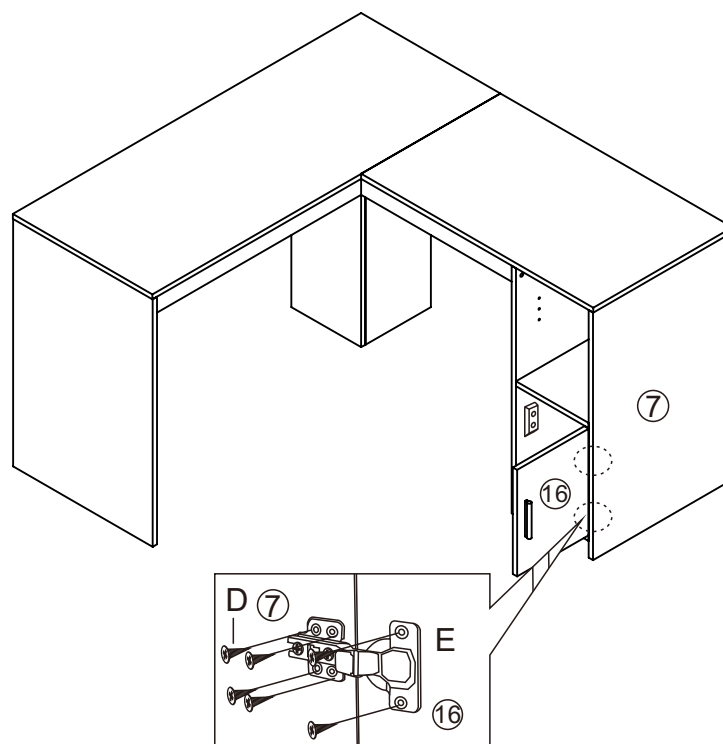
# STEP 11

1. Attach part J to panel 6 with part D.



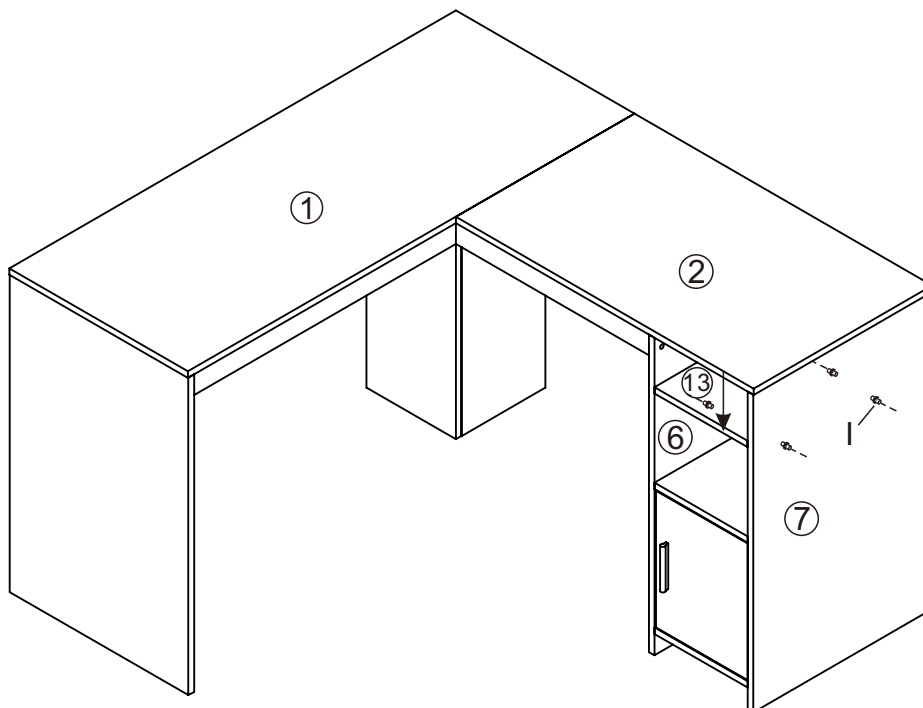
# STEP 12

1. Attach the right side of part E to panel 16 with part D.
2. Attach the left side of part E to panel 7 with part D.



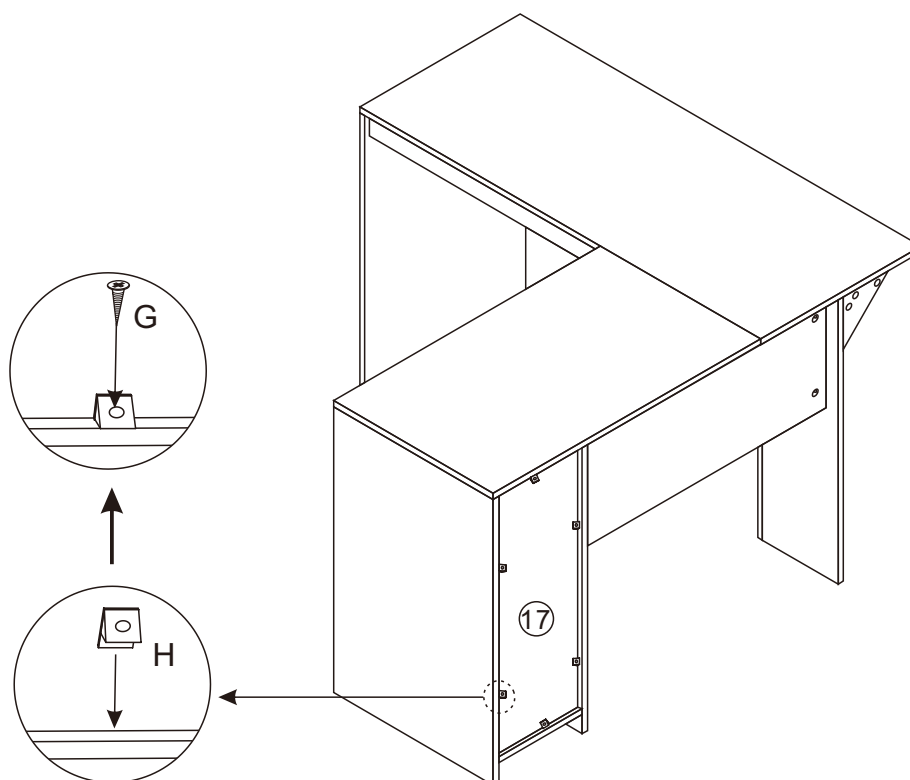
## STEP 13

1. Insert part I inside panels 6 and 7, then place panel 13 on top. Adjust shelf height to personal preference.



## STEP 14

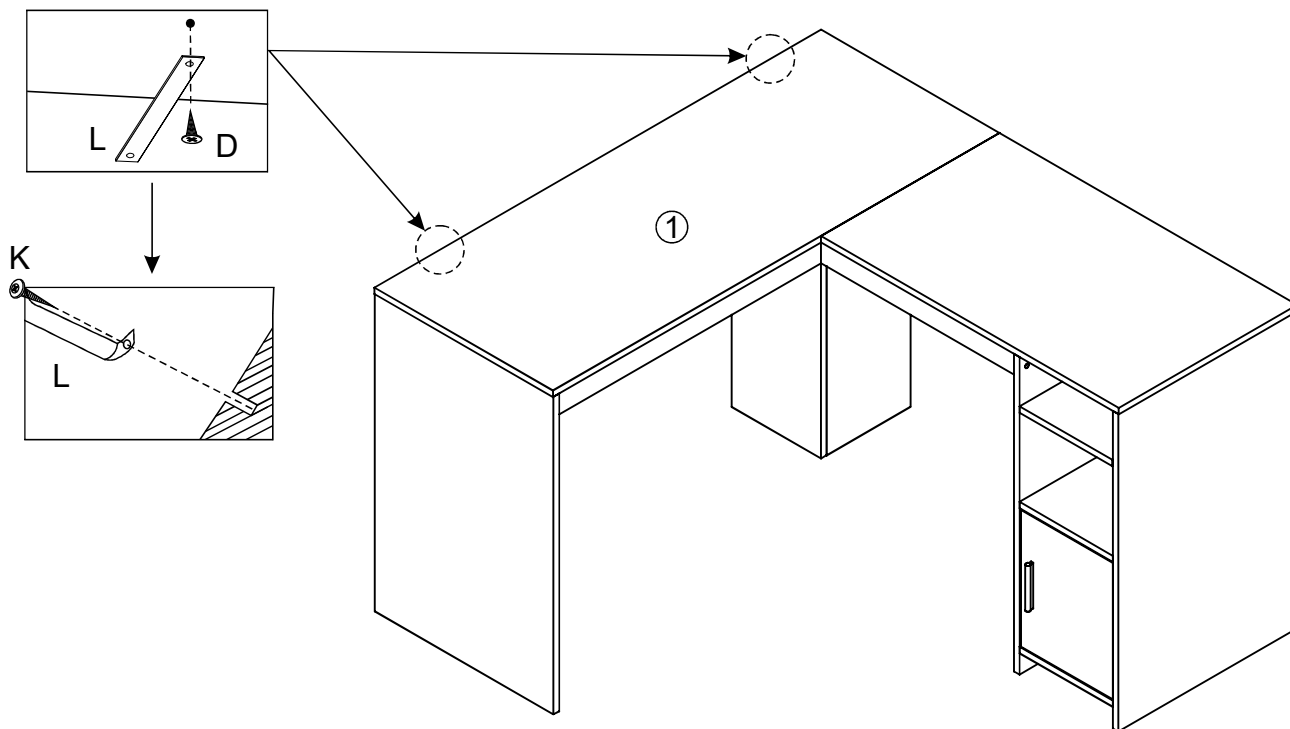
1. Attach part H to panel 17 with part G.



# STEP 15

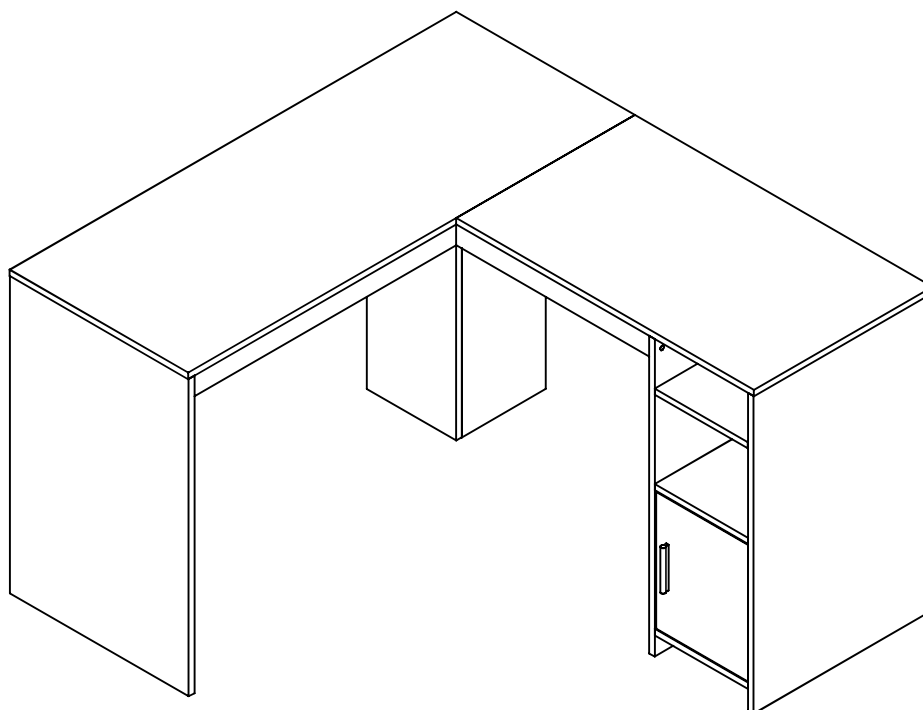
Install Tip Kit

1. Attach part L to the back of panel 1 with part D.
2. Attach part L to the wall with part K.



# STEP 16

Assembly complete!



## **To protect your furniture, we suggest the following:**

- Avoid placing your furniture in direct sunlight.
- Do not place furniture directly under windows.
- Do not place sharp materials (knife, fork, etc.) directly onto your furniture as sharp material may scrape and damage the finish.
- Do not place material with high temperature directly onto the surface of your furniture.
- Clean up spills quickly. Water left over a prolonged period of time may cause damage. Alcohol, perfume, nail polishes, aftershave and some medication may cause severe finish damage if not cleaned immediately.
- Use a clean, soft, dry, lint free absorbent cloth to clean your furniture. Do not use any detergent as they may contain ingredients that may react and damage the finish.

**NOTE:** If the above care advise is not adhered to your product warranty may become void